

Newmac Oil Fired Burner Riello F3, F5, BF3 & BF5 Parts List

FIGURE 14 RIELLO F3 & F5 EXPLODED ASSEMBLY

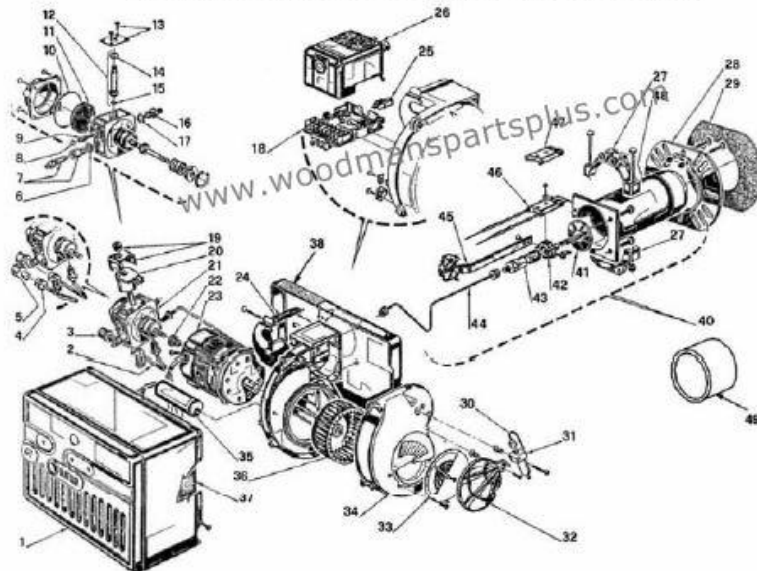
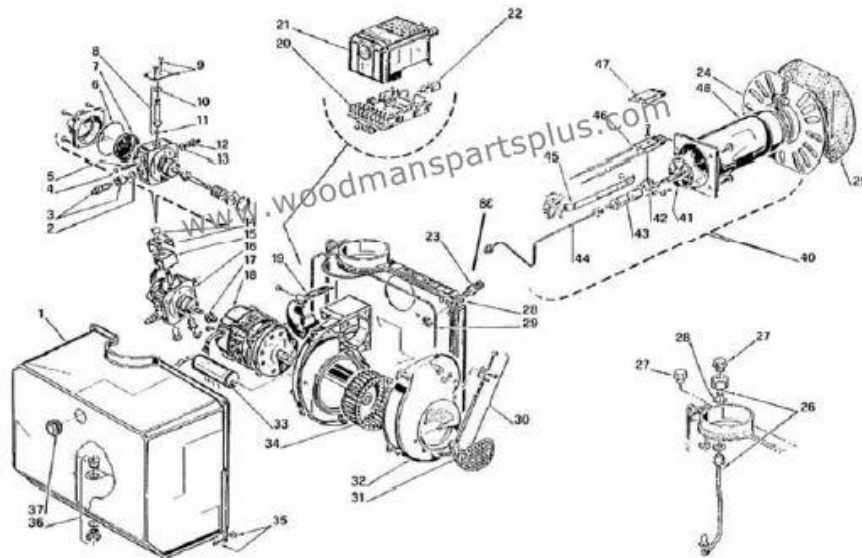


FIGURE 15 RIELLO BF3 & BF5 EXPLODED ASSEMBLY



Item F3, F5	Item BF3, BF5	Part No. Riello	Part No. Newmac	Burner Model F3	Burner Model F5	Burner Model BF3	Burner Model BF5	Description
1		D3007232		X	X			Burner back cover
2		D3007233		X	X			Burner back cover
	1	D3008019				X		Burner cover
	1	D3008023					X	Burner cover
3		D3006992		X	X			Pipe connector-supply
3		D3006571		X	X			3/8" NPT/metric adapter-male
4		D3006993		X	X			Pipe connector-return
5		D3005847		X	X			1/4" NPT/metric adapter-female
6	2	D3007077		X	X	X	X	Crushable metal washer 3/8" ID
8	4	D3007028		X	X	X	X	O-ring - pump pressure regulator
10	6	DC7010002	D2090043	X	X	X	X	O-ring - pump cover

Woodman's Parts Plus
www.woodmanspartsplus.com

11	7	D3005719		X	X	X	X	Pump screen
12	8	D3006925		X	X	X	X	Valve stem
13	9	D3007203		X	X	X	X	Plate - valve stem retainer
14	10	D3007029		X	X	X	X	O-ring valve stem, upper
15	11	D3007156		X	X	X	X	O-ring valve stem, lower
16	12	D3007268		X	X	X	X	Nozzle outlet fitting
17	13	D3007087		X	X	X	X	Crushable metal washer 5/8" ID
18	20	D3002278		X	X	X	X	Primary control sub-base
19	14	D3006553		X	X	X	X	Coil U-bracket retainer nut
20	15	D3002279		X	X	X	X	Coil
21	16	D3007802	D2060007	X	X	X	X	Pump
22	17	D3000443		X	X	X	X	Pump drive key
23	18	D3005843	D2020018	X	X	X	X	Motor
24	19	D3007315		X				Air tube cover plate
		D3007316			X			Air tube cover plate
25	22	D3002280	D2010045	X	X	X	X	Photo cell
26	21	DC7001029	D2010048	X	X	X	X	Primary control 530 SE/C
27		D3005854		X	X			Semiflange (2 Req'd)
28	24	D3000932		X	X	X	X	Adjustable mounting flange
29	25	D3005856	D2080058	X	X	X	X	Mounting gasket
30	5	N/A		X	X			Regulator
32		D3000878		X	X			Hydraulic air shutter
33		D3007204		X	X			Manual Air Shutter
34	32	D3007207		X		X		Air intake housing
		D3007208			X			Air intake housing
	32	D3007824					X	Air intake housing
35	33	D3005844	D2090041	X	X	X	X	Capacitor 12.5 uF
36	34	D3005708		X	X	X	X	Fan
38		D3007221		X				Chassis front plate
		D3007222		X				Air intake housing
40	40	D3948873	D2210141	X		X		Short combustion head - 6"
	40	D3948973	D2210143		X		X	Short combustion head - 6"
41	41	D3006968		X		X		Turbulator disc
	41	D3006977			X		X	Turbulator disc
42	42	D3006966		X	X	X	X	Electrode support
43	43	D3006965		X	X	X	X	Nozzle adapter
44	44	D3006969		X		X		Nozzle oil tube - short
	44	D3006973			X		X	Nozzle oil tube - short
45	45	D3006324		X		X		Regulator assembly - short
	45	D3006323			X		X	Regulator assembly - short
46	46	D3006330		X		X		Electrode assembly - short
	46	D3006329			X		X	Electrode assembly - short
47	47	D3005869		X	X	X	X	Electrode porcelain
48	48	D3007592		X		X		End cone assembly - short
	48	D3007594			X		X	End cone assembly - short
	3	D3007568				X	X	Bleeder
	23	DC5283000				X	X	Electrical fitting
	26	D3008020				X		Oil supply tube & adapter fitting
	26	D3008024					X	Oil supply tube & adapter fitting
	27	D3007901				X	X	Plug
	29	D3007630				X	X	Gasket burner cover
	30	D3000681				X	X	Manual air damper regulator
	31	D3008021				X	X	Air damper
	35	D3007707				X	X	Cover screw and washer
	36	D3007628				X	X	Filter assembly
	37	D3007627				X	X	Plug-cover opening-burner reset
		DC7001025	D2110172			X		Two line conversion kit
		DC7001026	D2110173				X	Two line conversion kit
49			D2030016	X	X	X	X	End Cone Protector, Ceramic Fibre